

AVIGILON™

L6A

Streamlining Technology
to Improve Security



Stop a threat in its tracks with the all-new **L6A Enterprise License Plate Recognition (LPR)** camera. Fusing industry-leading video streaming capabilities with cutting-edge LPR technology, scan license plates and stream video footage. Built with two lenses, this multipurpose camera accurately captures vehicle data, increases awareness and provides analytical capabilities beyond what a traditional security or LPR camera could do alone. Enhance on-premise security and avoid experiencing the unimaginable with a smarter, more efficient solution. Streamlining technology to improve security – that’s proactive protection.



Never Miss a Detail

With two motorized lenses, one purpose-built LPR camera and one context color camera, this 3MP camera precisely captures plates, day to night, and spots incidents up to 80 mph, over 328¹ ft (100m) away.



Prevent Unauthorized Access

Generate your own watchlist and receive notifications whenever your camera scans a prohibited plate. Although these scans will not notify law enforcement, you’ll know if an unwanted individual is on site and can take action.



Stream and Scan Data

Pair the L6A and Avigilon Unity Video with VehicleManager Enterprise to access on-site LPR insights and leverage a variety of patented analytics to stop at-risk vehicles from entering your site and hindering daily operations.



Aid in Investigations

The L6A is essential for investigators with both video and photographic evidence. The indisputable proof expedites investigations and the time it takes to hold someone accountable, effectively preventing repeat offenders.



Added Layer of Protection

If requested, the license plates captured by your L6A will be checked against local and federal watchlists. Should a vehicle linked to criminal activity or potential threats enter your premises, the police will be promptly notified.



Peace of Mind

Trust that your data is well-protected with NDAA-compliance and advanced cybersecurity features such as an onboard FIPS 140-2 level 3 compliant TPM and Secure Boot.

¹ Capture range varies depending on time of day. Max. Low light capture range is up to 250 ft (76.2m). Daylight capture range (20-330 ft).

For more information, visit the [L6A webpage](#).

Specifications

Image Performance		3.0 MP
Context Image Sensor	1/2.9" color global shutter CMOS	
LPR Image Sensor	1/2.9" monochrome global shutter CMOS	
Max Resolution (H x V)	1440x1080	
Sensor Aspect Ratio	4:3	
Max Frame Rate	(50 Hz/60 Hz): 50 fps/60 fps	
Camera Operating Mode	Full Feature/ No LPR Analytics	
3D Noise Reduction Filter	Supported	

Lens and IR Illumination		5 - 125 MM
IR Illumination Max Distance ¹	100 m (330 ft)	
Minimum Illumination	0 Lux with IR	
Horizontal Field of View	54° - 5°	
Vertical Angle of View	40° - 4°	
Max Aperture	F1.6	
Lens Control	Remote Zoom and Focus, Autofocus, IR Cut Filter	

¹ Available IR Illumination options, 850nm or 730nm

Image Control	
Image Compression Method	H.264, Motion JPEG
Streaming	Multi-stream H.264, Motion JPEG
Electronic Shutter Control	Automatic, Manual (1/600 to 1/20000 sec)
Day/Night Control	Automatic, Manual
Iris Control	P-Iris
White Balance	Automatic, Manual
Backlight Compensation	Adjustable
Image Rotation	0°, 180°
Privacy Zones	Up to 16 zones

Network	
Network	1000 BASE-T
Cabling Type	CAT5
Connector	RJ45 Connector
ONVIF	ONVIF® Profile S and Profile M (www.onvif.org)
Security	Secure Boot, Password protection, HTTPS encryption, digest authentication, WS authentication, user access log, 802.1x port based authentication, onboard FIPS 140-2 L3 certified TPM
Protocols	IPv6, IPv4, HTTP, HTTPS, SOAP, DNS, NTP, RTSP, RTCP, RTP, TCP, UDP, IGMP, ICMP, DHCP, Zeroconf, ARP, HSTS
Streaming Protocols	RTP/UDP, RTP/UDP multicast, RTP/RTSP/TCP, RTP/RTSP/HTTP/TCP, RTP/RTSP/HTTPS/TCP, HTTP
Device Management Protocols	SNMP v2c, SNMP v3

Peripherals

USB Port	USB C
External Storage	microSD/microSDHC/microSDXC slot - video speed class card required. Class V10 or better recommended.

Auxiliary I/O

External I/O Terminal	Alarm In, Alarm Out
-----------------------	---------------------

Mechanical

Dimensions (L x W x H)	Camera with junction box	361 x 197 x 111 mm or 14.2 x 7.8 x 4.4 in
Weight		3.15 Kg
Body		Aluminum
Housing		Aluminum
Finish		High polished plastic injection mold; Powdercoat grey, pantone 427C
Adjustment Range		±175° pan, ±90° tilt, ±175° azimuth

Electrical

Power Source	POE+ IEEE 802.3at Class 4
IR Illuminator Behaviour	IR illuminator will turn off if the temperature is 60°C (149°F) or higher.
External Power	24 VDC +/-10%
Power Consumption	25 W max, (PoE+)
Memory	8GB RAM, 32GB Flash

Environmental

Operating Temperature ²	-40°C to +60°C (-40°F to 140°F)
Storage Temperature	-10°C to +70°C (14°F to 158°F)
Absolute Maximum Temperature	74°C (165°F) per NEMA TS2 (Temp.) para 2.2.7.2 - 2.2.7.7
Humidity	0 - 95% non-condensing

² Cold start -25C.

Certifications

Certifications/Approvals	CE, UKCA, ROHS, RCM, NOM, KC, BIS
Safety Standards	UL/CSA/EN/IEC 62368-1, IEC 62471
Environmental Standards/Ratings	IEC/EN 62262 (IK 10), IEC 60529 IP66, IP67 rating, Type 4X, IEC 60068-2-1, IEC 60068-2-2, IEC 60068-2-6, IEC 60068-2-14, IEC 60068-2-27
Electromagnetic Emissions Standards	FCC Part 15 Subpart B (Class B), IC ICES-003 (Class B), EN 55032 (Class B), EN 61000-6-3, EN 61000-3-2, EN 61000-3-3
Electromagnetic Immunity Standards	EN 55035, EN 61000-6-1, EN 50130-4, EN 50121-4
Warranty	5-year warranty

Analytics Specifications

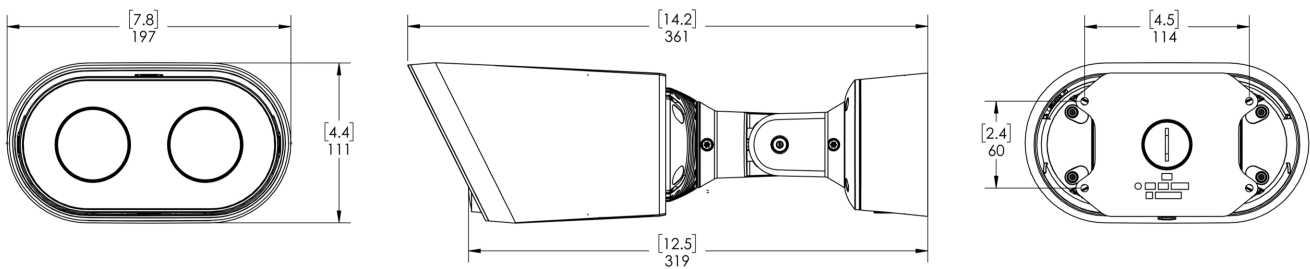
Supported Vehicle Detection Analytics

Plate	Characters on vehicle plate.
Plate State or Region	State or Region of the vehicle plate.
Make	Make of the vehicle.
Model	Model of the vehicle.
Color	Color of the vehicle.
GPS Coordinates	GPS Coordinates of the vehicle.

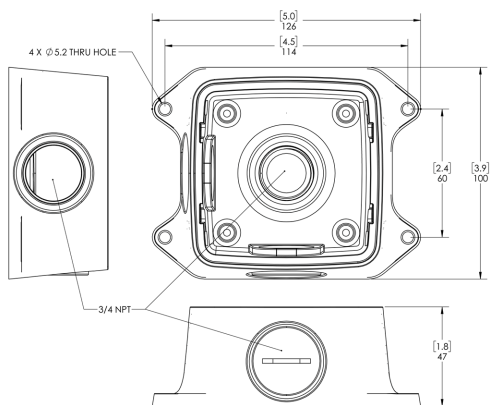
Outline Dimensions

L6A Bullet Camera

[X.X]	INCHES
X	MM



Junction box



Ordering Information

Bullet Camera

Model number	
VSF-L6A-8IR	L6A Camera with License Plate Recognition, 850nm
VSF-L6A-7IR	L6A Camera with License Plate Recognition, 730nm

Accessories

Model number	
PLMT-1001	Pole Mount Adapter
VS-L6A-SHADE	L6A Sunshade Replacement

Support

Learn more and find additional documentation at [avigilon.com](https://www.avigilon.com) or email sales@avigilon.com for specific product support.



Sep 2024 | Rev 1

© 2024, Motorola Solutions, Inc. All rights reserved. MOTOROLA, MOTO, MOTOROLA SOLUTIONS, and the Stylized M Logo are trademarks or registered trademarks of Motorola Trademark Holdings, LLC and are used under license. AVIGILON, the AVIGILON logo, AVIGILON CONTROL CENTER, ACC, HDSM SmartCodec and LIGHTCATCHER are trademarks of Avigilon Corporation. The absence of the symbols ™ and ® in proximity to each trademark in this document or at all is not a disclaimer of ownership of the related trademark. All other trademarks are the property of their respective owners.

sales@avigilon.com | [avigilon.com](https://www.avigilon.com)